

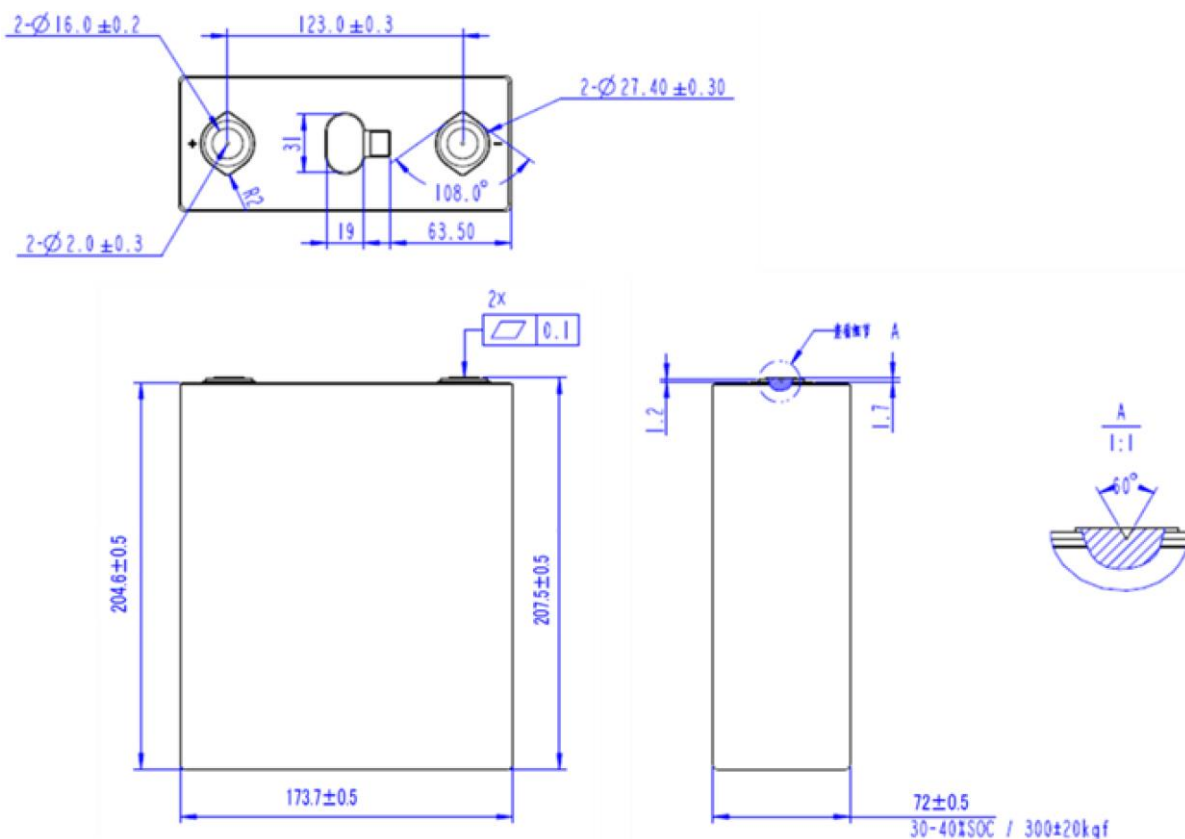


EVE LF280K

Specifications

Item	Standards	Remarks
Nominal Capacity	280.0Ah	0.5C, 25 ± 2°C, 2.5~3.65V
Nominal Energy	896.0Wh	0.5C, 25 ± 2°C, 2.5~3.65V
Initial IR	≤0.25mΩ	AC, 1kHz, 30~40% SOC
Nominal Voltage	3.2V	0.5C, 25 ± 2°C, 2.5~3.65V
Weight	5420 ± 300g	
Charging Cut-off Voltage	3.65V	
Discharging Cut-off Voltage	2.5V	
Max Cont. Charging Current	280.0A	1C
Max Cont. Discharging Current	280.0A	1C
Cycling Performance	6000 cycles (25°C) 2500 cycles (45°C)	Applying 300 ± 20kgf compression force, 0.5C/0.5C, 2.5V~3.65V
Operation Temperature	Charging (0~55°C) Discharging (-20~55°C)	
Storage Temperature	3 month (0~35°C) 1 month (-20~45°C)	Delivery SOC State

Dimensions (mm)



For more details, please contact: EVE Energy North America, 46 Village Pointe Dr, Powell, Ohio, 43065

Email: info@evebatteryusa.com Phone: 614.389.2552