

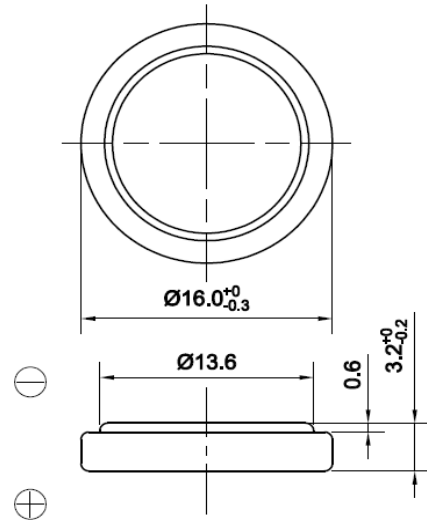
# CR1632

Lithium Manganese Dioxide  
(Li-MnO<sub>2</sub>) Coin Batteries

## Specifications

Nominal Voltage	3V
Nominal Capacity* <sup>1</sup>	120 mAh
Max. Discharge Current	1.5 mA
Max. Pulse Current	8 mA
Standard Discharge Current	0.1 mA
Operating Temperature* <sup>2</sup>	-20~+70°C
Approx. Weight	1.6g
UL Component Recognition	MH28717

## Dimensions (mm)

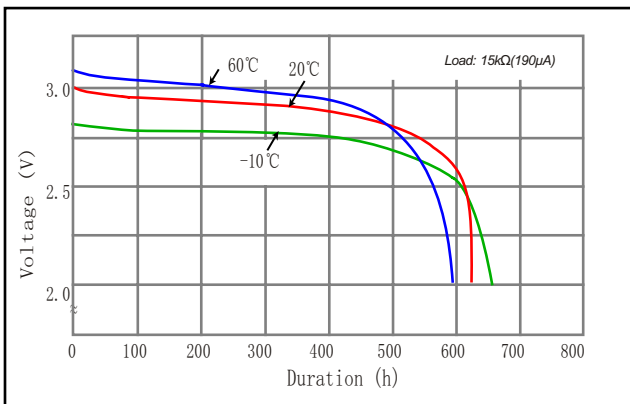


\*<sup>1</sup>Nominal capacity is determined at an end voltage of 2.0V when the battery is allowed to discharge at a standard current level at 20±3°C.

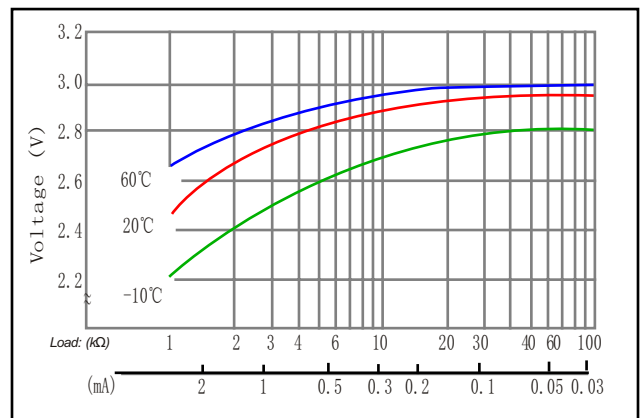
\*<sup>2</sup>Consult EVE when using batteries at temperatures exceeding the -10°C to +60°C range.

## Performance

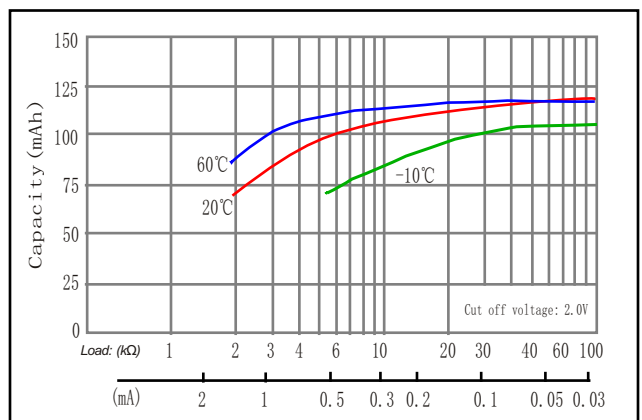
### 1. TEMPERATURE CHARACTERISTICS



### 2. OPERATING VOLTAGE VS. LOAD RESISTANCE



### 3. CAPACITY VS. LOAD RESISTANCE



■ Cell and battery designs/specifications are subject to modification without notice, contact EVE for the latest information.

■ Any representations in this data sheet concerning performance are for informational purpose only and are not construed as warranties, either expressed or implied, of future performance.

**EVE ENERGY CO., LTD.**

Address: NO.38, Hui Feng 7th Road, Zhongkai Hi-Tech Zone, HuiZhou, Guangdong, China

Operator: (86-752)260 6966

Direct: (86-752)260 5822

Fax: (86-752)260 6033

P.C.516006